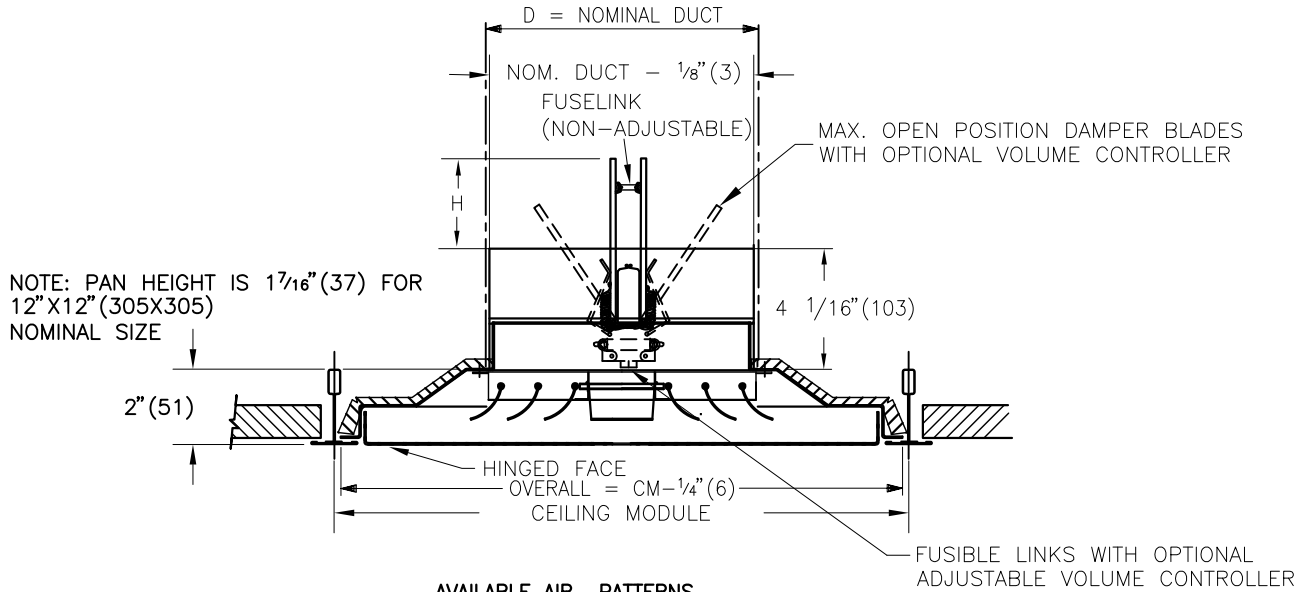
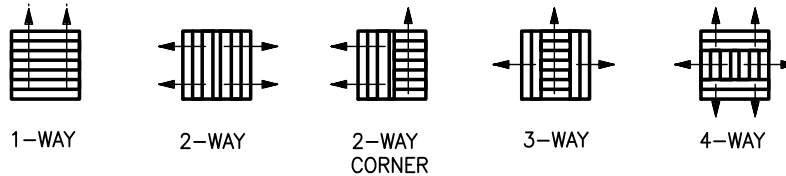


PDC-FR, PERFORATED DIFFUSER, FIRE RATED ASSEMBLY



AVAILABLE AIR PATTERNS



CEILING MODULE	ROUND DUCT SIZE	SQUARE DUCT SIZE
12x12 (305x305)	6 (152)	6x6 (152x152)
24x24 (610x610)	6,8,10,12,14,15 (152,203,254,305,356,381)	6x6,8x8,10x10,12x12,14x14,15x15, 16x16,18x18 (152x152,203x203,254x254,305x305 356x356,381x381,406x406,457x457)

ROUND NECK		SQUARE NECK	
NOM. DUCT	H	NOM. DUCT	H
6 (152)	1 (25)	6 X 6 (152 X 152)	2 (51)
8 (203)	2 (51)	8 X 8 (203 X 203)	3 (76)
10 (254)	3 (76)	10 X 10 (254 X 254)	4 (102)
12 (305)	4 (102)	12 X 12 (305 X 305)	5 (127)
14 (356)	5 (127)	14 X 14 (356 X 356)	6 (152)
15 (381)	5 1/2 (140)	15 X 15 (381 X 381)	6 1/2 (165)
		16 X 16 (406 X 406)	7 (179)
		18 X 18 (457 X 457)	8 (203)

MATERIAL:

- STEEL CONSTRUCTION
- CEILING RADIATION DAMPER: BUTTERFLY TYPE.
- THERMAL BLANKET: NON ASBESTOS

FINISH:

- B12 WHITE (OPTIONAL FINISHES AVAILABLE)

OPTION:

- ADJUSTABLE VOLUME CONTROLLER (ALLEN KEY ADJUSTABLE)
- 162°F (74°C) FUSIBLE LINK (STANDARD)
- 212°F (100°C) FUSIBLE LINK

NOTE:

- FIRE RATED 3 HOUR.
- UL CLASSIFIED FIRE RATED CEILING DIFFUSER ASSEMBLY. LISTED IN UNDERWRITERS LABORATORIES FIRE RESISTANCE DIRECTORY.
- ULC CLASSIFIED FIRE RATED CEILING DIFFUSER ASSEMBLY. LISTED IN UNDERWRITERS OF CANADA LABORATORIES LIST OF EQUIPMENT AND MATERIALS.
- 1, 2, 2C, 3 & 4-WAY AIR PATTERNS HAVE INDIVIDUALLY ADJUSTABLE BLADES.
- CURVED BLADES ARE LOCATED AT THE INLET NECK AND ARE FIELD ADJUSTABLE FROM HORIZONTAL TO VERTICAL AIR PATTERN.
- DUCT: STEEL OR FLEXIBLE DUCT CONNECTIONS AS PER FIRE RATED DESIGN REQUIREMENTS.
- INSTALLATION INSTRUCTIONS: SEE SUBMITTAL 228791
- FIRE RATED DIFFUSERS ARE TO BE INSTALLED IN FIRE RATED T-BAR APPLICATIONS ONLY.

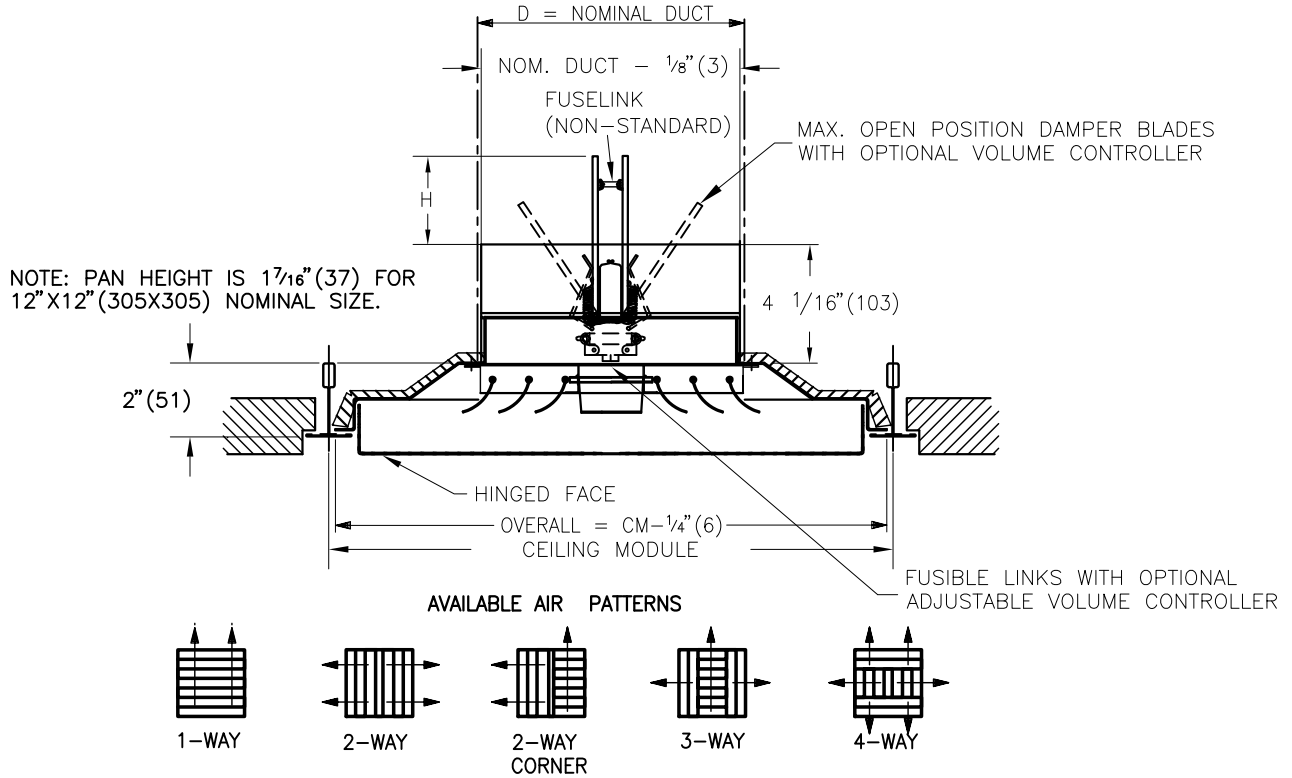


ALL METRIC DIMENSIONS () ARE SOFT CONVERTED. IMPERIAL DIMENSIONS ARE CONVERTED TO METRIC AND ROUNDED TO THE NEAREST MILLIMETER.

PROJECT:		PRICE®
ENGINEER:		
CUSTOMER:		228726
SUBMITTAL DATE:	SPEC. SYMBOL:	2015/03/31

PDC-FR
PERFORATED DIFFUSER
C/W ADJUSTABLE
CURVED BLADES
FIRE RATED

PDCE-FR, PERFORATED DIFFUSER, FIRE RATED ASSEMBLY



CEILING MODULE	ROUND DUCT SIZE	SQUARE DUCT SIZE
12x12 (305x305)	6 (152)	6x6 (152x152)
24x24 (610x610)	6,8,10,12,14,15 (152,203,254,305,356,381)	6x6,8x8,10x10,12x12,14x14,15x15, 16x16,18x18 (152x152,203x203,254x254,305x305 356x356,381x381,406x406,457x457)

ROUND NECK		SQUARE NECK	
NOM. DUCT	H	NOM. DUCT	H
6 (152)	1 (25)	6 X 6 (152 X 152)	2 (51)
8 (203)	2 (51)	8 X 8 (203 X 203)	3 (76)
10 (254)	3 (76)	10 X 10 (254 X 254)	4 (102)
12 (305)	4 (102)	12 X 12 (305 X 305)	5 (127)
14 (356)	5 (127)	14 X 14 (356 X 356)	6 (152)
15 (381)	5 1/2 (140)	15 X 15 (381 X 381)	6 1/2 (165)
		16 X 16 (406 X 406)	7 (179)
		18 X 18 (457 X 457)	8 (203)

MATERIAL:

- STEEL CONSTRUCTION
- CEILING RADIATION DAMPER: BUTTERFLY TYPE.
- THERMAL BLANKET: NON ASBESTOS

FINISH:

- B12 WHITE (OPTIONAL FINISHES AVAILABLE)

OPTION:

- ADJUSTABLE VOLUME CONTROLLER (ALLEN KEY ADJUSTABLE)
- 165°F (74°C) FUSIBLE LINK (STANDARD)
- 212°F (100°C) FUSIBLE LINK

NOTE:

- FIRE RATED 3 HOUR.
- UL CLASSIFIED FIRE RATED CEILING DIFFUSER ASSEMBLY. LISTED IN UNDERWRITERS LABORATORIES FIRE RESISTANCE DIRECTORY.
- ULC CLASSIFIED FIRE RATED CEILING DIFFUSER ASSEMBLY. LISTED IN UNDERWRITERS OF CANADA LABORATORIES LIST OF EQUIPMENT AND MATERIALS.
- 1, 2, 2C, 3 & 4-WAY AIR PATTERNS HAVE INDIVIDUALLY ADJUSTABLE BLADES.
- CURVED BLADES ARE LOCATED AT THE INLET NECK AND ARE FIELD ADJUSTABLE FROM HORIZONTAL TO VERTICAL AIR PATTERN.
- DUCT: STEEL OR FLEXIBLE DUCT CONNECTIONS AS PER FIRE RATED DESIGN REQUIREMENTS.
- INSTALLATION INSTRUCTIONS: SEE SUBMITTAL 228791
- FIRE RATED DIFFUSERS ARE TO BE INSTALLED IN FIRE RATED T-BAR APPLICATIONS ONLY.



ALL METRIC DIMENSIONS () ARE SOFT CONVERTED. IMPERIAL DIMENSIONS ARE CONVERTED TO METRIC AND ROUNDED TO THE NEAREST MILLIMETER.

PROJECT:		PRICE®	
ENGINEER:		<i>MG</i>	PDCE-FR PERFORATED DIFFUSER ADJUSTABLE CURVED BLADES EXTENDED FACE FIRE RATED
CUSTOMER:		228727	
SUBMITTAL DATE:	SPEC. SYMBOL:	2015/03/31	